

KRAMER



Installation Instructions

MODELS:

WP-3H2, W-3H2

HDMI Extender



P/N: 2900-301252



Rev: 2



SAFETY WARNING

Disconnect the unit from the power supply before opening and servicing

For the latest information on our products and a list of Kramer distributors, visit our Web site where updates to this user manual may be found.

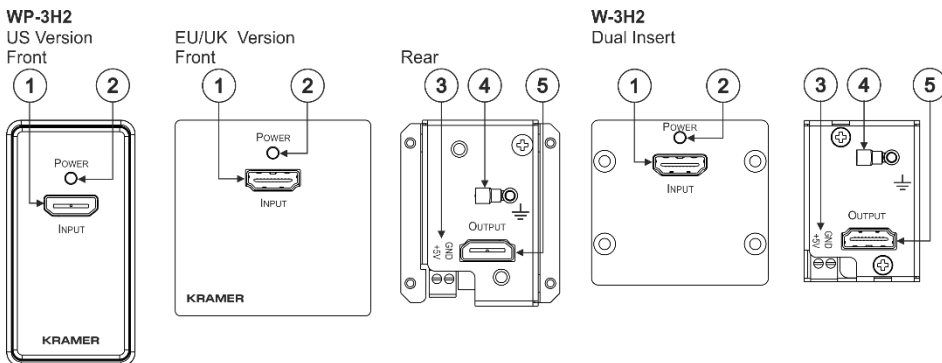
We welcome your questions, comments, and feedback.

www.kramerAV.com
info@kramerAV.com

The WP-3H2 / W-3H2, HDMI Extender

Thank you for purchasing the Kramer **WP-3H2** Wall Plate (US, UK and EU versions) and/or **W-3H2** Dual Insert HDMI Extenders. The **HDMI Extender** is ideal for ProAV, multimedia and home cinema applications. The device extends the HDMI transmission length by reclocking and regenerating the HDMI signal before it sends the output to the HDMI display. It extends the HDMI cable distance between the HDMI player and the HDMI display. By placing **WP-3H2 / W-3H2** in the transmission path, it removes dropout and digital noise (sparkles) in your picture that may result from using long HDMI cables. In addition, the **HDMI Extender**:

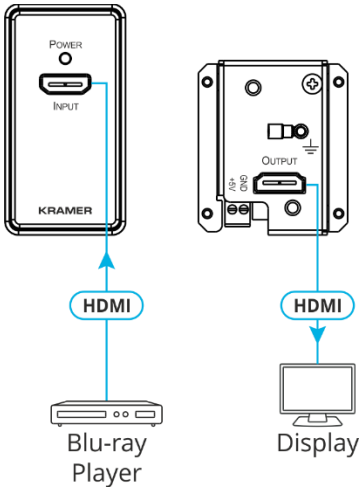
- Provides a method of transmitting 4K@60Hz (4:4:4) signals at a distance of up to 20m from the source (10m from the source to the **HDMI Extender**, and 10m from the **HDMI Extender** to the display).
- Maintains an HDMI single link video resolution of up to 4K@60Hz (4:4:4).
- Supports the DDWG standard for HDMI compliant displays.
- Complies with HDCP 1.4 and HDCP 2.2.
- Supports ARC, CEC, deep color, x. v. color™, 7.1 PCM, 4K and 3D as specified in HDMI 2.0.



#	Feature	Function
1	INPUT HDMI™ Connector	Connects to an HDMI source.
2	POWER LED	Lights when power powered (via the HDMI source or via an external power source connected to the 2-pin terminal block connector).
3	External Power Supply 2-pin Terminal Block Connector	Optional: Connect to a power supply. Connect GND to GND, +5V to +5V. (Typically used when the HDMI source is not strong enough to power the device, or when the device is located far from the source or when driving sources such as AOC cables).
4	Ring Tongue Terminal Grounding Screw	Connect to grounding wire (optional).
5	OUTPUT HDMI™ Connector	Connect to an HDMI acceptor

The terms HDMI, HDMI High-Definition Multimedia Interface, and the HDMI Logo are trademarks or registered trademarks of HDMI Licensing Administrator, Inc.

Connecting the Input and Output



The WP-3H2 / W-3H2 input is connected via a male-to-male HDMI cable (not provided) to an HDMI source, such as a 4K UHD Blu-ray player.

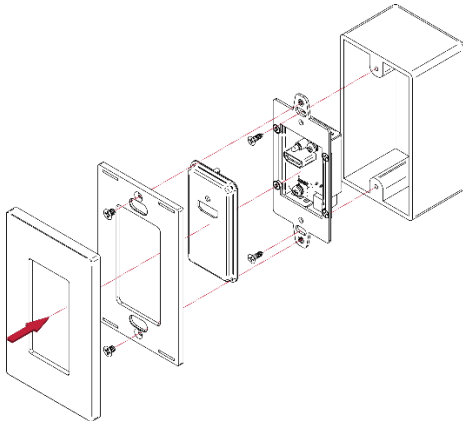
The WP-3H2 / W-3H2 output is connected via a second male-to-male HDMI cable (not provided) to an HDMI acceptor, such as a 4K UHD projector or display.

See the Technical Specifications for the maximum lengths of the input and output HDMI cables.

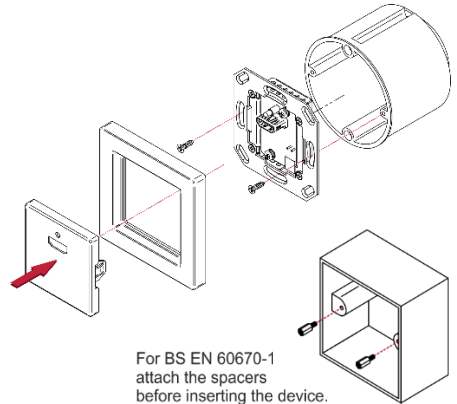
Installing the WP-3H2 / W-3H2

After connecting the ports, insert the device into the in-wall box and connect the parts as shown in the illustrations below:

WP-3H2 US-D Version



WP-3H2 EU/UK Version



For BS EN 60670-1 attach the spacers before inserting the device.

DECORA® is a registered trademark of Leviton Manufacturing Co., Inc.

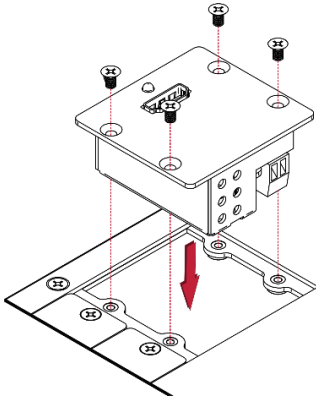


DECORA® design frames are included in US-D models.

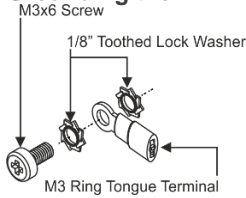
We recommend that you use any of the following standard 1 Gang in-wall junction boxes:

- **US-D:** 1 Gang US electrical junction boxes.
- **EU:** 1 Gang in-wall junction box, with a cut-hole diameter of 86mm and depth that can fit in both the device and the connected cables (DIN 49073).
- **UK:** 1 Gang in-wall junction box, 75x75mm (W, H) and depth that can fit in both the device and the connected cables (BS 4662 or BS EN 60670-1 used with supplied spacers and screws).

W-3H2 Dual Insert



Grounding the HDMI Extender (Optional)



1. Connect the ring tongue terminal to the building grounding point wire (a green-yellow, AWG#18 (0.82mm²) wire, crimped with a proper hand-tool is recommended).
2. Insert the M3x6 screw through the toothed lock washers and the tongue terminal in the order shown above.
3. Insert the M3x6 screw (with the two toothed lock washers and ring tongue terminal) into the grounding screw hole and tighten the screw.

Connect the Power (Optional)

Connect the 5V DC power adapter to the **HDMI Extender** and plug the adapter into the mains.

Safety Instructions



Caution: There are no operator serviceable parts inside the unit.

Warning: Disconnect the power and unplug the unit from the wall before installing.

See www.KramerAV.com for updated safety information.

Technical Specifications

Input	HDMI	On an HDMI Connector			
Output	HDMI	On an HDMI Connector			
Video	Maximum Resolution:	4K@60Hz 4:4:4			
	Maximum Range:	Resolution	Total Distance	HDMI Source to Device	Device to Display
		4K@60 4:4:4	20m (65ft)	10m (33ft)	10m (33ft)
		4K@60 4:2:0 / 4K@30	40m (130ft)	25m (82ft)	15m (49ft)
		1080p@60	45m (150ft)	30m (98ft)	15m (49ft)
Compliance	Up to HDCP 2.2				
HDMI Support	ARC, CEC, deep color, x. v. color™, 7.1 PCM, 4K and 3D as specified in HDMI 2.0				
Control	Front Panel	Power LED			
Power	Consumption	5V DC, 150mA			
	Source (WP-3H2)	5.2V/4A			
Environmental Conditions	Operating Temperature:	0° to +40°C (32° to 104°F)			
	Storage Temperature:	-40° to +70°C (-40° to 158°F)			
	Operating Humidity:	10% to 90%, RHL non-condensing			
Enclosure	Net Dimensions (W, D, H)	US-D: 7cm x 2.4cm x 11.4cm (2.8" x 0.9" x 4.5); EU: 8cm x 2.4cm x 8cm (3.1" x 0.9" x 3.1); UK: 8.6cm x 2.4cm x 8.6cm (3.4" x 0.9" x 3.4") Dual insert: 5cm x 2.8cm x 4.7cm (2" x 1.1" x 1.8")			
	Shipping Dimensions (W, D, H)	Wall plate: 23.2cm x 13.6cm x 10cm (9.1" x 5.4" x 3.9") (W, D, H) Dual Insert: 12.6cm x 8.4cm x 4.1cm (5" x 3.3" x 1.6") (W, D, H)			
	Net Weight	0.17kg (0.4lbs) approx..			
	Shipping Weight	0.56kg (1.2lbs) approx.			
Accessories (WP-3H2)	Included	Power adapter and cord US-D version: 1 white US Frame set and faceplate European version: 1 EU white frame, 1 UK white frame, 1 EU/UK white faceplate			

Specifications are subject to change without notice at www.kramerav.com